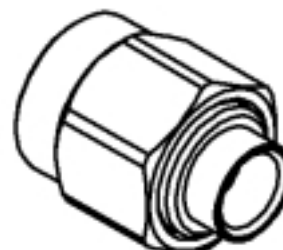
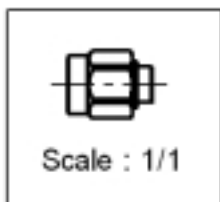
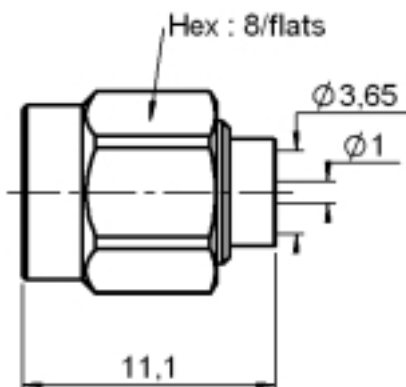


STRAIGHT PLUG SOLDER TYPE

R125.055.009

CABLE .141

Series : SMA



All dimensions are in mm.

COMPONENTS	MATERIALS	PLATING
BODY	BERYLLIUM COPPER	GOLD 1.3 OVER NICKEL 2 µm
CENTRE CONTACT	BRASS	GOLD 2.5 OVER COPPER 2.5 µm
OUTER CONTACT	-	- µm
INSULATOR	PTFE	
GASKET	SILICONE RUBBER	
OTHERS PARTS	BERYLLIUM COPPER	GOLD 1.3 OVER NICKEL 2 µm
-	-	-
-	-	-



Edition : 9840 E

Design changes may be in order to improve the product.

STRAIGHT PLUG SOLDER TYPE

R125.055.009

CABLE .141

Series : **SMA**

ELECTRICAL CHARACTERISTICS

Impedance **50** Ω
 Frequency **0-18** GHz
 VSWR **1.05 + 0.008 x F(GHz)** Maxi
 Insertion loss **0.03** √F(GHz) dB
 RF leakage - (**90** - F(GHz)) dB mini
 Operating temperature **-65/+105** °C
 Voltage rating **500** Veff Maxi
 Dielectric withstanding **1000** Veff mini
 Insulation resistance **5000** MΩ mini

SPECIFICATION

Stripping	a	b	c	d	e	f
mm	3.17	0.00	0.00	0.00	0.00	0.00

Assembly instruction : **Solder 01**

Recommended cables
 RG 402
 KS 2

Cable retention
 - pull off **270** N mini
 - torque **NA** N.cm

MECHANICAL CHARACTERISTICS

Centre contact retention
 Axial force – Mating end **NA** N mini
 Axial force – Opposite end **NA** N mini
 Torque **NA** N.cm mini

Recommended torque
 Mating **100** N.cm
 Panel nut **NA** N.cm
 Clamp nut **NA** N.cm
 A/F clamp nut **0.000** mm

Mating life **500** Cycles mini
 Weight **0.000** g

TOOLING

Part Number	Description	Hexagon
.	.	.
R282.053.000	STRIPPING TOOL	
R282.067.000	POINTER GAUGE	
R282.740.000	SOLDERING MOUNTING	
R282.744.220	SOLDERING POSITIONER	
R282.744.061	SOLDERING POSITIONER	
R282.862.060	CONTROL GAUGE	
R282.914.000	DIELECTRIC RECESS GAUGE	
R282.915.010	DIELECTRIC RECESS TOOL FOR DIELECTRIC	
R282.730.040	INSULATOR MOUNTING TOOL	

ENVIRONMENTAL

Hermetic seal **NA** Atm.cm3/s
 Leakage – pressurised only **NA** Mpa

OTHERS CHARACTERISTICS



Edition : 9840 E

Design changes may be in order to improve the product.